

# PROJ-WM2 Short-Throw Projector Arm



Part #: PROJ-WM2

The PROJ-WM2 short-throw projector arm is crafted to support the Mitsubishi XD500U-ST (XGA) and WD500U-ST (WXGA) short-throw projectors.

Designed with unique features such as a wall-mounted GearBox™ to hold a small PC, Mac Mini or other control device (Crestron, Extron etc.), the PROJ-WM2 offers many conveniences for both installer and end-user.

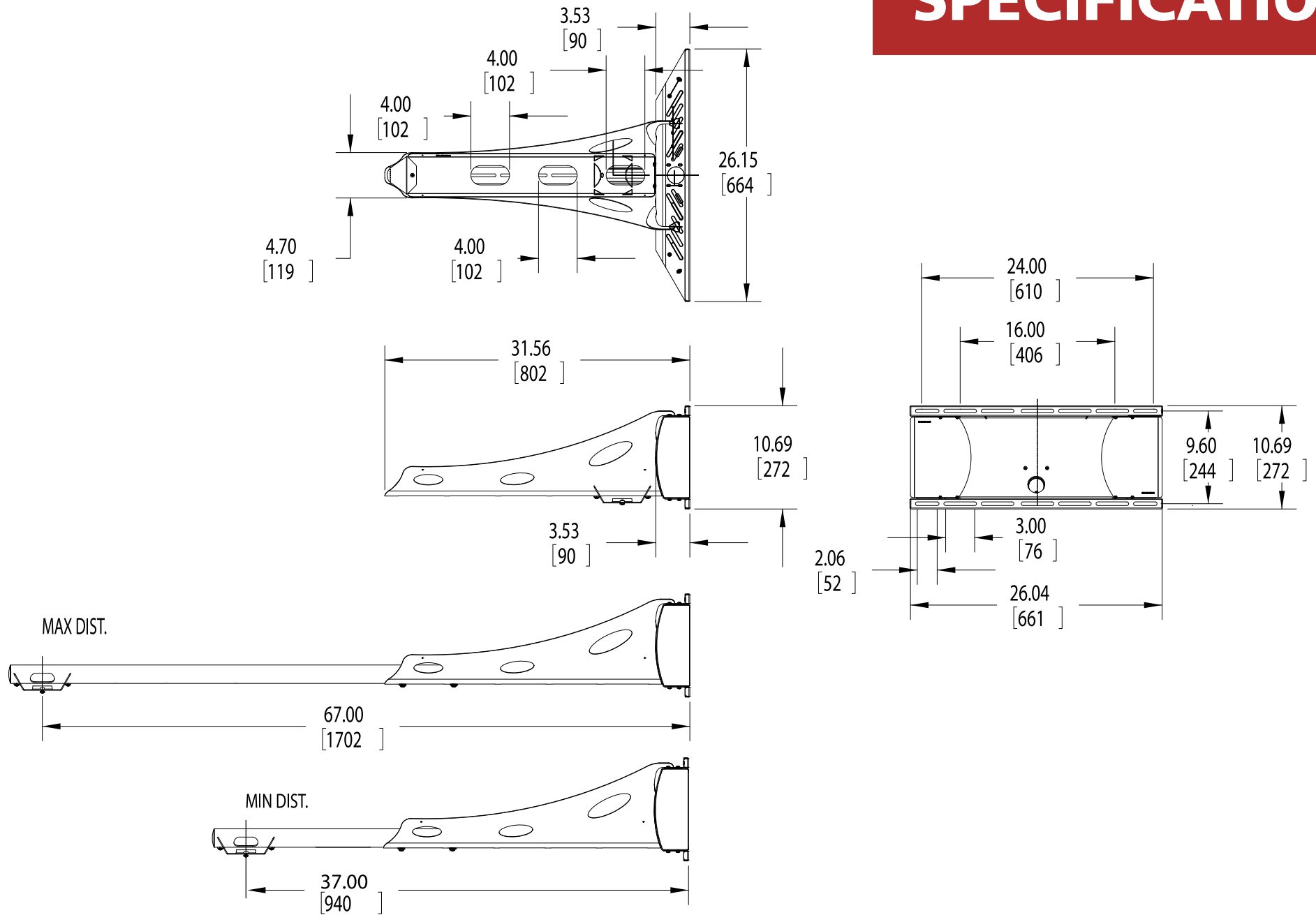
Offering more adjustability than any other projector arm on the market, the PROJ-WM2 adjusts from 37" to 67" from the wall.

Unlike lesser models, the PROJ-WM2 does not require a stud to be located in the center of the whiteboard/screen. It can mount to single or dual studs (16", 18" and 24"), as well as concrete and steel stud construction and features integrated lateral shift for finite adjustment to center of screen.

## Features

- Supports projectors up to 75 lbs.
- Telescoping adjustable arm from 37"-67" from the wall
- Includes wall-mounted storage box
- Integrated cable management
- Quick & simple installation process
- Mounts to single and dual studs, steel studs and concrete
- Includes universal projector mount
- Ideal for interactive & non-interactive white boards
- +/-16.5° tilt
- +/-7.5° roll
- 360° yaw
- Lifetime Warranty

# SPECIFICATIONS



Universal Short-Throw Projector Arm  
Model: PROJ-WM2