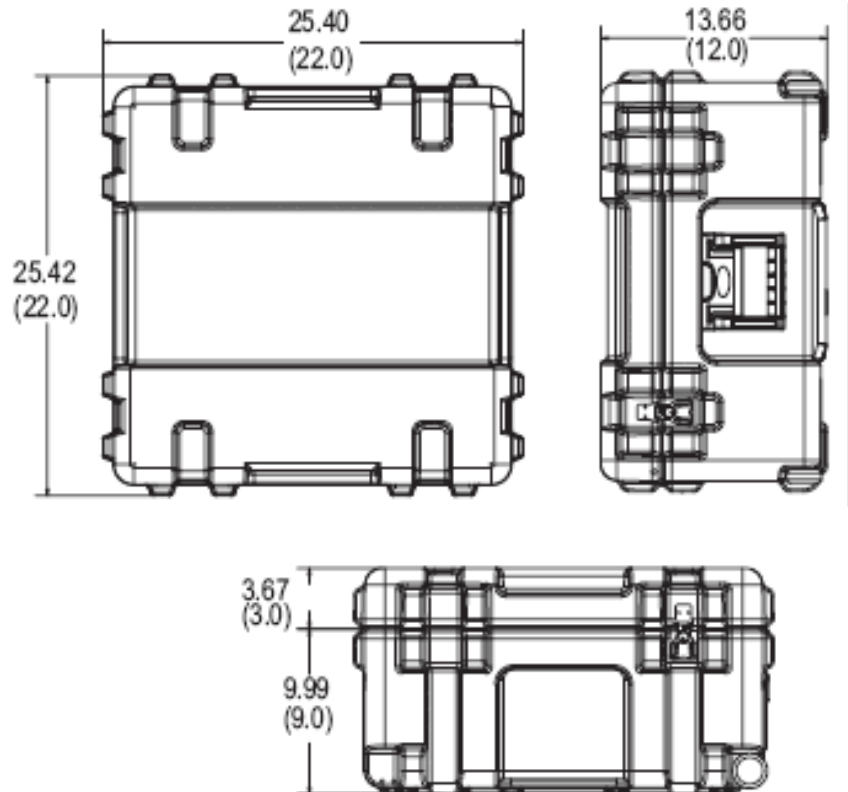
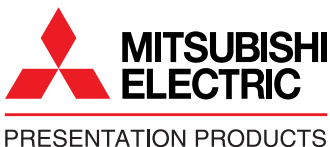


XL70000-ATAC Hard Shell Rolling Case



Part Number	XL7000-ATAC
Supported Projectors	FL7000U, FL6900U, WL6700U, WD2000U, XD1000U, XD2000U, XL6600U, XL6500U
Dimensions	25.4"x25.42"x13.66" (Exterior Dimensions LxWxH) 22"x22"x12" (Interior Dimensions LxWxH)
Base	9.99" (Exterior) 9.0" (Interior)
Lid	3.67" (Exterior) 3.0" (Interior)
Weight	27lbs
Key Features	<ul style="list-style-type: none"> • Superior rotationally molded strength and ergonomic design • Comfortable, spring-loaded, rubber over-molded handles • Easy-glide roller bladed wheels for easy roll on all surfaces • Includes compartment for cable cover and slot for optional lens



Mitsubishi Digital Electronics America, Inc.
Presentation Products Division
 9351 Jeronimo Road, Irvine CA 92618
 Toll Free 888.307.0349
 email: ppdinfo@mdea.me.com
 www.mitsubishi-presentations.com

Technical Support:
 Toll Free: 888.307.0309
 email: tsupport@mdea.me.com

Canada:
 Mitsubishi Electric Sales Canada Inc.
Display & Imaging Solutions Division
 Markham, Ontario
 905.475.7728
 www.mitsubishielectric.ca