



MITSUBISHI ELECTRIC

MULTIMEDIA DATA/VIDEO PROJECTORS



New **FL7000U** **FULL HD 1080** **5000lm**
HIGH BRIGHTNESS

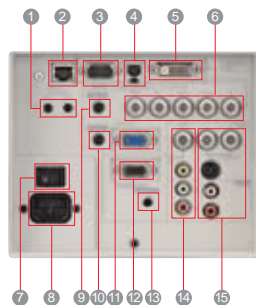
Specifications

Model	FL7000U
Display technology	11" 3-LCD (with micro lens)
Resolution	1920 x 1080 (Total 2,073,600 pixels)
Brightness	5000 ANSI lumens
Contrast ratio	1000:1 (on/off)
Projection lens	f=51-64mm, F1.8-2.1
Throw Ratio	2.1 ~ 2.75
Zoom / focus	Motorized Zoom & Focus
Picture size	60" - 250"
Source lamp	220W (Shut Off Time 4000Hrs) with Low mode, 275W (Shut Off Time 2000Hrs) with Standard mode
Computer compatibility	Resolution ; 640 x 400 (Expand) - 1920 x 1080 (Real) - 1600 x 1200 (Compress) Sync on Green available
Video compatibility	NTSC / NTSC 4.43 / PAL (including PAL-M, N) / SECAM / PAL-60, Component Video ; 480i/p (525i/p), 576i/p (625i/p), 720p (750p 50/60Hz), 1080i (1125i 50/60Hz), 1080p (1125p 50/60Hz), (1080i (1250i 50Hz) is not available) SCART (RGB + 1V sync, only Mini D-Sub 15pin Terminal)
Input terminals	PC ; 5 BNC x 1, Mini D-Sub 15pin x 1, DVI-D(with HDCP) x 1, PC Audio ; Stereo mini jack (φ3.5mm) x 2 Video ; RCA x 1 or BNC x 1, S-VIDEO (4pin) x 1 or S-VIDEO Y/C (BNC), Video Audio ; RCA (L/R) x 2
Output terminals	RGB ; Min D-Sub 15 pin x 1, Audio ; Stereo mini jack (φ3.5mm) x 1 (Variable Out)
Communication terminals	LAN (RJ-45) ; x 1 (Projector control), RS-232C ; D-Sub 9pin x 1 (Direct command is available), USB ; x 1 (for Mouse Cursor Control) Wired remote (IN) ; x 1 (φ3.5mm Stereo mini jack), Wired remote (OUT) ; x 1 (φ3.5mm Stereo mini jack)
Scanning Rate	H: 15-100kHz V: 50-120Hz, Dot clock: 162MHz (Max)
Audio speaker	10 W Mono
Dimensions (W x H x D)	443 x 207 x 434 mm / 17.4 x 8.1 x 17.1 inch (Including detachable Terminal Cover)
Weight	9.8kg / 21.6lbs (Exclude detachable Terminal Cover)
Power supply	AC100 - 240V, 50/60 Hz

* SXGA, XGA and SVGA are registered trademarks of IBM Corporation.
* All brand names and product names are trademarks, registered trademarks or trade names of their respective holders.

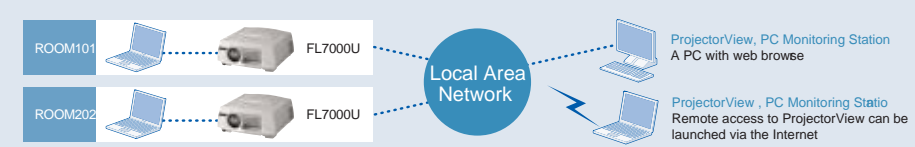
Input and Output Terminals

- REMOTE IN and OUT terminals
- LAN terminal
- SERIAL terminal (D-SUB 9-pin)
- USB (COMPUTER) terminal
- COMPUTER/COMPONENT VIDEO DVI-D (HDCP) terminal (DVI-D 24-pin)
- COMPUTER / COMPONENT VIDEO IN 1 terminals (R/Ps, G/Y, B/Ps, H/HV, V) (BNC)
- Main power switch O : OFF I : ON
- Power jack
- AUDIO IN 1 terminal (Mini jack)
— The AUDIO IN 1 terminal is used for both COMPUTER 1 and DVI input.
- AUDIO IN 2 terminal (Mini jack)
- COMPUTER/COMPONENT VIDEO IN 2 terminal (Mini D-SUB 15-pin)
- MONITOR OUT terminal (Mini D-SUB 15-pin)
- AUDIO OUT terminal (Mini jack)
- VIDEO IN and audio input terminals
- S-VIDEO IN and audio input terminals

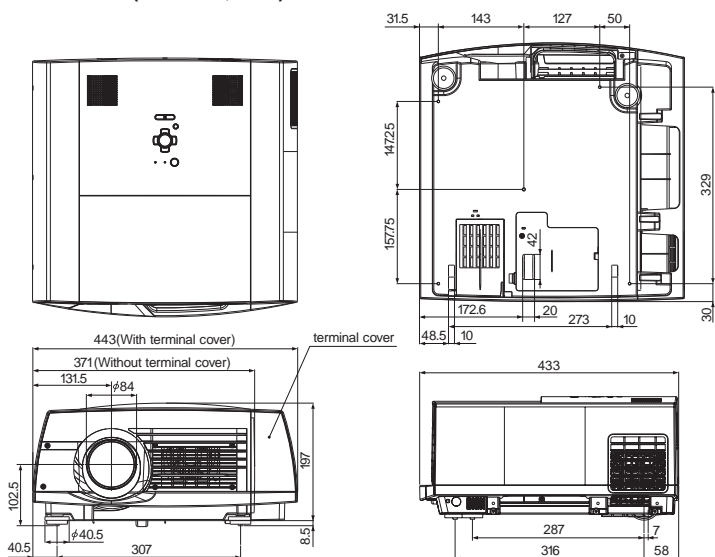


Projector View (Diagnostic System)

To monitor projectors and facilitate maintenance, incorporated diagnostic system provides control over key projector functions such as power on/off as well as warnings for operating temperature and filter clogging. Controlled via a master PC, this system is ideal for a Local Area Network (LAN) for both academic and business environments.

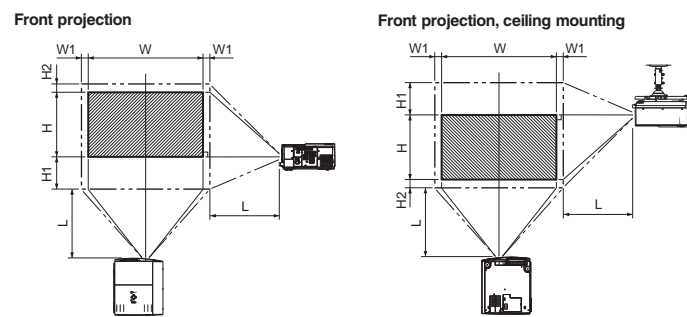


Dimensions (unit: mm, inch)



Screen size and projection distance

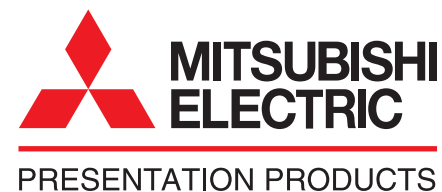
Refer to the following table to determine the screen size and projection distance.



Diagonal size (inch) (cm)	Screen Size				Projection distance (L)				Lens movable range						
	Height (H) (inch) (cm)	Width (W) (inch) (cm)	Shortest (Wide) (m) (inch)	Longest (Tele) (m) (inch)	H1 (cm) (inch)	H2 (cm) (inch)	W1 (cm) (inch)	W2 (cm) (inch)	W3 (cm) (inch)						
60	152	29	75	52	133	104	2.6	133	3.4	15	38	4	10	3	7
80	203	39	100	70	177	140	3.5	178	4.5	20	51	5	13	4	9
100	254	49	125	87	221	175	4.5	223	5.7	25	63	7	17	4	11
150	381	74	187	131	332	264	6.7	336	8.5	37	94	10	25	7	17
200	508	98	249	174	443	354	9.0	449	11.4	49	125	13	34	9	22
250	635	123	311	218	553	443	11.2	-	-	62	156	17	42	11	28

* The above figures are approximate and may be slightly different from the actual measurements.

MITSUBISHI DIGITAL ELECTRONICS AMERICA, INC.
Presentation Products Division
Phone: 888.307.0349
Email: ppdinfo@mdea.com
www.mitsubishi-presentations.com



MITSUBISHI ELECTRIC SALES CANADA INC.
Information Technologies Group
Phone: 905.475.7728
www.mitsubishielectric.ca

FULL HD 1080 **5000lm**
HIGH BRIGHTNESS

New **FL7000U**

