



MITSUBISHI ELECTRIC

MULTIMEDIA DATA/VIDEO PROJECTORS

Specifications

Model		HC6800	
Projection system		Transmissive liquid crystal system	
Panel specs	Panel size	0.74type x3, Aspect ratio 16:9, D7 (with Micro Lens)	
	Number of pixels	1920x1080 (2,073,600 pixels)	
	Drive system	3 primary color liquid crystal shutter system	
Optical specs	Array	Stripe pattern	
	Zoom / focus operation	Zoom ratio 1.6:1 (powered)	
	Throw ratio	1.42 - 2.26	
	Projection lens	f=23.5mm - 37.6mm	
	Off axis	(V) 5: -1 - 5: 1 (+/-75%), (H) Screen Width +/-5% (with Variable H+V Powered Lens Shift)	
	Light source lamp	170W - Standard Mode (2000hrs estimated lamp life) 136W - Low Mode (4000hrs estimated lamp life)	
Optical system		Mirror color separation / prism synthesis system	
Iris		Auto-iris	
Projection screen size		50"-300"	
Images	Brightness	1500lm (Max), 1300lm (typical)	
	Contrast ratio	30,000:1 (w/ auto-iris operation) typ.	
	Resolution	PC input VGA 640x480 — SXGA 1280x1024, UXGA 1600x1200 Compressed	
	Scan frequency	Horizontal (kHz) 15-100kHz Vertical (Hz) 50-120Hz	
Input signal system		Video NTSC, NTSC4.43, PAL (including PAL-M and N), SECAM, PAL-60 Video input: 480i/p, 576i/p, 1080i 60/50, 1080p 60/50/24, 720p 60/50	
Input	PC		PC/AT compatibles, Mac
	Video	PC input	Mini D-Sub 15 pin 1 terminal
		HDMI input	HDMI terminal 2 terminals (v1.3 with Deep Color)
		Composites	RCA terminal 1 terminal
		S	S-Video terminal 1 terminal
		Components	RCA terminal 1 terminal (component can be also input to Mini D-Sub 15 pin)
Serial / RS-232C standard		1 terminal (D-Sub 9 pin)	
Output		Trigger terminal	1 terminal (Stereo mini jack (ø3.5mm))
Functions	Digital keystone		Vertical ±15steps
	Fan noise		20dBA (at low mode)
	Power source voltage		AC100V 50/60Hz
	Power consumption		250W (at standby 7W)
	Weight		16.5lbs
Main unit dimensions		WxDxH 427x440x159mm / 16.8"x17.3"x6.3" (excluding height adjustment)	
Other	Supplied accessories		Power source cord (2.9m), Remote control, AA batteries (x2), RGB signal cable, RS-232C cable, Lens cap, Lamp replacement tray
	Optional accessories		Ceiling Mount (XL7000CM), Ceiling Mount Accessory (PROJ-FCA), Replacement Lamp (VLT-HC6800LP)
	Warranty		2-years parts and labor, 1-year or 500 hours on lamp (whichever comes first)

*All brand and product names are trademarks or registered trademarks of their respective companies.

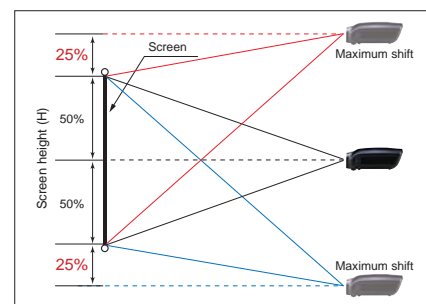
Projection distance

Screen size (16:9)				Projection distance		Up-down lens shift		Right-Left lens shift	
Diagonal	W (width)	H (height)		Max Zoom	Min Zoom	Down	Up	Left	Right
50	127	43.7	24.4	59	98	19 ← 0 → 19		2.4 ← 0 → 2.4	
60	152	52.4	29.5	71	118	22 ← 0 → 22		2.8 ← 0 → 2.8	
70	178	61.0	34.3	87	138	26 ← 0 → 26		3.1 ← 0 → 3.1	
80	203	69.7	39.4	98	158	30 ← 0 → 30		3.5 ← 0 → 3.5	
90	229	78.3	44.1	110	177	33 ← 0 → 33		3.9 ← 0 → 3.9	
100	254	87.0	49.2	122	197	37 ← 0 → 37		4.3 ← 0 → 4.3	
110	279	96.1	53.9	134	217	41 ← 0 → 41		4.7 ← 0 → 4.7	
120	305	104.7	58.7	150	236	44 ← 0 → 44		5.1 ← 0 → 5.1	
130	330	113.4	63.8	161	256	48 ← 0 → 48		5.5 ← 0 → 5.5	
140	356	122.0	68.5	173	276	52 ← 0 → 52		5.9 ← 0 → 5.9	
150	381	130.7	73.6	185	299	55 ← 0 → 55		6.7 ← 0 → 6.7	
200	508	174.4	98.0	248	398	74 ← 0 → 74		8.7 ← 0 → 8.7	
250	635	217.7	122.4	311	496	92 ← 0 → 92		11 ← 0 → 11	
300	762	261.4	147.2	374	598	110 ← 0 → 110		13 ← 0 → 13	

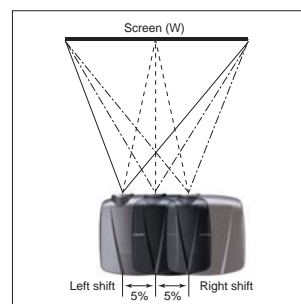
Screen size (4:3)				Projection image size (16:9)		Projection distance		Up-down lens shift		Right-Left lens shift			
Diagonal	W (width)	H (height)		Diagonal	W (width)	H (height)	Black zone	Max Zoom	Min Zoom	Down	Up	Left	Right
50	127	40.2	29.9	46.1	40.2	22.4	3.9	55	91	16.9 ← 0 → 16.9		1.9 ← 0 → 1.9	
60	152	48.0	35.8	55.1	48.0	27.2	4.3	67	106	20.0 ← 0 → 20.0		2.4 ← 0 → 2.4	
70	178	55.9	42.1	64.2	55.9	31.5	5.1	79	126	23.6 ← 0 → 23.6		2.8 ← 0 → 2.8	
80	203	64.2	48.0	73.6	64.2	35.8	5.9	91	148	27.2 ← 0 → 27.2		3.1 ← 0 → 3.1	
90	229	72.0	53.9	82.7	72.0	40.6	6.7	102	161	30.3 ← 0 → 30.3		3.5 ← 0 → 3.5	
100	254	79.9	59.8	91.7	79.9	44.9	7.5	114	181	33.9 ← 0 → 33.9		3.9 ← 0 → 3.9	
110	279	88.2	66.1	101	88.2	49.6	8.3	122	201	37.0 ← 0 → 37.0		4.3 ← 0 → 4.3	
120	305	96.1	72.0	110	96.1	53.9	9.1	134	217	40.6 ← 0 → 40.6		4.7 ← 0 → 4.7	
130	330	104	77.9	119	104	58.7	9.8	146	236	43.7 ← 0 → 43.7		5.1 ← 0 → 5.1	
140	356	112	83.9	128	112	62.9	10.6	158	256	47.2 ← 0 → 47.2		5.5 ← 0 → 5.5	
150	381	120	90.2	138	120	67.3	11.4	169	272	50.8 ← 0 → 50.8		5.9 ← 0 → 5.9	
200	508	160	120	183	160	90.2	14.9	228	366	67.3 ← 0 → 67.3		7.9 ← 0 → 7.9	
250	635	200	150	230	200	113	18.9	284	457	84.3 ← 0 → 84.3		9.8 ← 0 → 9.8	
300	762	240	180	275	240	135	22.4	343	547	101 ← 0 → 101		12 ← 0 → 12	

*The above figures are approximate and may be slightly different from the actual measurements.

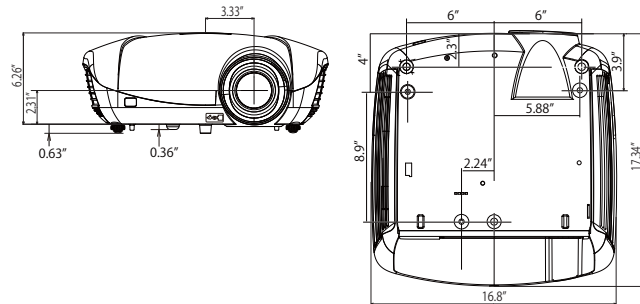
Vertical direction



Horizontal direction



Dimensions




Deep blacks... Brilliant whites...
Both at levels never believed possible



NEW HC6800

MITSUBISHI DIGITAL ELECTRONICS
AMERICA, INC.
Presentation Products Division
Phone: 888.307.0349
www.mitsubishi-presentations.com



MITSUBISHI ELECTRIC
PRESENTATION PRODUCTS

MITSUBISHI ELECTRIC SALES
CANADA, INC.
Display & Imaging Solutions Division
Phone: 905.475.7728
www.mitsubishielectric.ca

