



**MITSUBISHI
ELECTRIC**

MULTIMEDIA DATA/VIDEO PROJECTORS



NEW *Optional lens compatible*

*Painstakingly precise color reproduction.
Super-bright SXGA+ Projector*

PORTABLE SXGA+ PROJECTOR

HL2750U

RGB 3LCD



Changes for the Better

Flexible Lens Options

Besides the standard lens, the HL2750U is also engineered to use various optional lenses. Choose the lens that best fits your installation parameters.



OL-XL2550MZ

Inorganic LCD Panel

The HL2750U is equipped with inorganic liquid crystal panels delivering amazingly sharp and bright images. Now you can show off your latest CAD or architectural plans with the utmost details of SXGA+ (1400x1050) magnified through 3100 ANSI lumens of brightness. Plus the panel life is rated up to twice the service life of conventional organic film panels, which translates into years of viewing enjoyment



XGA

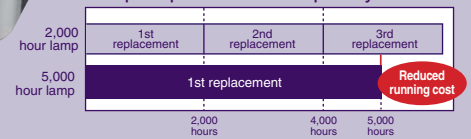
SXGA+

Amazing 5,000hrs Lamp Life

With an optimal lamp design to help control overall lamp temperature, the HL2750U can achieve an estimated lamp life of up to 5,000 hours^{*1}. This makes dramatic reductions in overall replacement lamp costs, as well as reduce overall operating maintenance time and costs^{*2}.

(*1): When used at the low lamp mode. Maximum lamp life at standard mode use is 2,000 hours.
(*2): Lamp life refers to the average time required for brightness to be reduced by half, and not the time specified in the warranty. Use time may vary widely by the environment and conditions, and whether or not cleaning and other maintenance procedures are followed.

Lamp Replacement Frequency^{*2}



Convenient Side-Access Lamp Design

Designed with a convenient side access lamp design, necessary lamp replacements are simplified and does not require the projector be unmounted from a ceiling mount or turned upside down with resting on a tabletop



Anti-Theft Security Hook

A robust key-lock chain can be passed through the anti-theft security hook. This reliable anti-theft measure helps prevent and deter any unauthorized removal of the projector from the premises

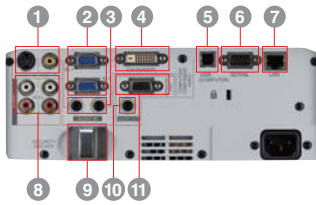


Note: Mitsubishi Electric cannot accept responsibility for thefts occurring despite use of this safety feature.



PORTABLE SXGA+ PROJECTOR HL2750U

Input and Output Terminals



- 1 S-Video / Video input
- 2 PC / Component Video input (mini D-sub 15pin)
- 3 PC / Audio input
- 4 DVI-D (with HDCP) input
- 5 USB terminal for mouse control
- 6 Serial RS-232C (D-sub 9pin)
- 7 LAN (RJ-45)
- 8 Video / Audio input
- 9 Security Anchor
- 10 Audio output
- 11 Monitor output

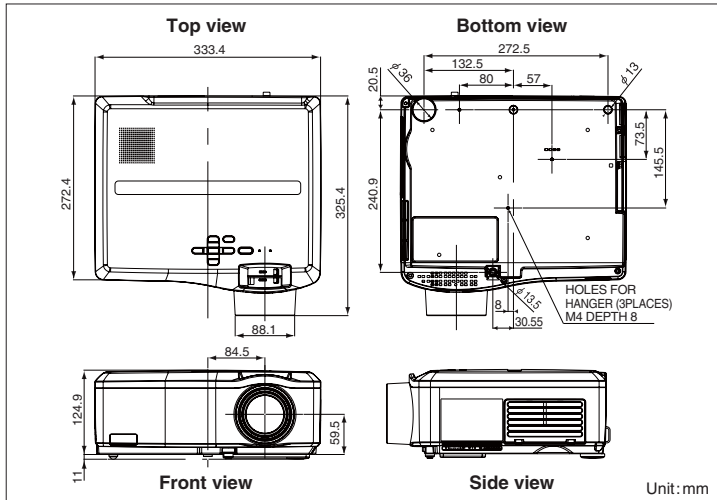
Options

Replacement lamp
VLT-XL650LP



Option Lens Line-up

| | Short Throw Zoom Lens OL-XL2550MZ | Long Throw Zoom Lens OL-XL2550LZ | Tele Throw Zoom Lens OL-XL2550TZ |
|-----------------|--------------------------------------|-------------------------------------|-------------------------------------|
| Model | | | |
| Zoom / Focus | Manual (1.3x) | Manual (1.5x) | Manual (1.5x) |
| Projection Lens | f=29-37mm F1.7-2.0 | f=32-48mm F2.2-2.8 | f=48-74mm F2.2-2.7 |



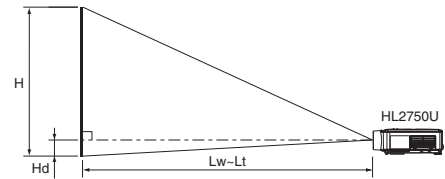
Specifications

| | |
|-------------------------|---|
| Model | HL2750U |
| Display technology | 0.8" 3-LCD (with Micro Lens) |
| Resolution | 1400x1050 (total 1,470,000 pixels) |
| Brightness | 3100lm |
| Contrast | 600 : 1 (on/off) |
| Projection lens | f=24-29mm, F1.7-1.9 |
| Throw ratio | 1.47-1.77 |
| Offset axis | 9up : 1down (No variable lens shift) |
| Picture Size | 40"~300" |
| Source lamp | 220W (Shut Off Time 5000Hrs) with Low Mode 261W (Shut Off Time 2000Hrs) with Standard Mode |
| Computer compatibility | 640x480 - 1600x1200 True: 1400x1050, Sync on green available |
| Video compatibility | NTSC/NTSC4.43/PAL (including PAL-M, N) /SECAM/PAL-60, Component Video: 480i/p(525i/p),576i/p(625i/p), 720p(750p 50/60Hz), 1080i(1125i 50/60Hz),1080p(1125p 50/60Hz), SCART(RGB+1V sync) |
| Digital keystone | Vertical: MAX +/- 35 deg, Horizontal: MAX +/- 25 deg |
| PC input terminals | PC: Mini D-sub 15pinx2, DVI-D(with HDCP)x1, Audio: Stereo mini(φ3.5)x2 |
| Video input terminals | Video: RCAx1, S-VIDEOx1, Audio: RCA(L,R)x2 |
| Output terminals | Monitor Out: Mini D-sub 15pinx1, Audio: Stereo Mini(φ3.5)x1 |
| Communication terminals | LAN(RJ-45)x1 (for projector control), RS-232C (D-Sub 9pin)x1, USB terminalx1 (for mouse control) |
| Audio speaker | 3W mono |
| Dimension (WXHXD) | 333x125x272mm / 13.1" x 4.4" x 10.7" (excluding height adjustment) |
| Weight | 4.9kg / 10.8lbs |
| Power supply | AC100 - 240V, 50/60Hz |
| Optional lamp | VLT-XL650LP |
| Accessories | Ceiling Mount (XL6000CM), Hard Shell Projector Case (XH50-ATAC), Replacement remote control (XD460REM) |
| Warranty | 3-Years Parts/Labor, 3-Years Express Replacement Assistance, 1-Year or 500 hours lamp warranty (whichever comes first) |

*All brand names and product names are trademarks, registered trademarks or trade names of their respective holders.
*Compliance with ISO21118-2005

Screen size and Projection distance

As seen from the side



Normal Lens / Screen size chart (4:3 aspect ratio)

| Diagonal size | Screen | | | | Distance from screen (L) | | | | Height projected image (Hd) | | |
|---------------|-----------|-----|------------|-----|--------------------------|-----|--------------|-----|-----------------------------|------|----|
| | Width (W) | | Height (H) | | Maximum Zoom | | Minimum Zoom | | inch | cm | |
| 40 | 102 | 32 | 81 | 24 | 61 | 46 | 1.2 | 85 | 1.4 | 2.4 | 6 |
| 60 | 152 | 48 | 122 | 36 | 91 | 70 | 1.8 | 114 | 2.2 | 3.6 | 9 |
| 80 | 203 | 64 | 163 | 48 | 122 | 94 | 2.4 | 142 | 2.9 | 4.8 | 12 |
| 100 | 254 | 80 | 203 | 60 | 152 | 118 | 3.0 | 170 | 3.6 | 6.0 | 15 |
| 150 | 381 | 120 | 305 | 90 | 229 | 177 | 4.5 | 251 | 5.5 | 9.0 | 23 |
| 200 | 508 | 160 | 406 | 120 | 305 | 237 | 6.0 | 327 | 7.3 | 12.0 | 31 |
| 250 | 635 | 200 | 508 | 150 | 381 | 297 | 7.5 | 399 | 9.1 | 15.0 | 38 |
| 300 | 762 | 240 | 610 | 180 | 457 | 357 | 9.1 | - | - | 18.0 | 46 |

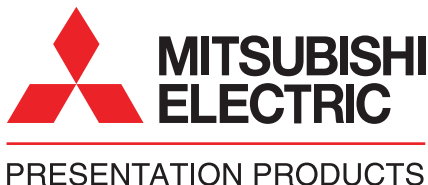
Option Lens / Screen size chart (4:3 aspect ratio)

| Diagonal size | Screen | | | | OL-XL2550MZ | | | | OL-XL2550LZ | | | | OL-XL2550TZ | | | | | | | | | | |
|---------------|-----------|-----|------------|-----|--------------------------|-----|-----------------------------|-----|--------------------------|------|-----------------------------|-----|--------------------------|-----|-----------------------------|------|----|-----|------|-----|------|------|----|
| | Width (W) | | Height (H) | | Distance from screen (L) | | Height projected image (Hi) | | Distance from screen (L) | | Height projected image (Hi) | | Distance from screen (L) | | Height projected image (Hi) | | | | | | | | |
| 40 | 102 | 32 | 81 | 24 | 61 | 55 | 1.4 | 71 | 1.8 | 2.4 | 6 | - | - | - | - | - | - | | | | | | |
| 60 | 152 | 48 | 122 | 36 | 91 | 84 | 2.1 | 108 | 2.7 | 3.6 | 9 | 92 | 2.4 | 144 | 3.7 | 3.6 | 9 | 139 | 3.6 | 218 | 5.5 | 3.6 | 9 |
| 80 | 203 | 64 | 163 | 48 | 122 | 113 | 2.9 | 145 | 3.7 | 4.8 | 12 | 124 | 3.2 | 193 | 4.9 | 4.8 | 12 | 187 | 4.8 | 292 | 7.4 | 4.8 | 12 |
| 100 | 254 | 80 | 203 | 60 | 152 | 142 | 3.6 | 182 | 4.6 | 6.0 | 15 | 155 | 4.0 | 242 | 6.2 | 6.0 | 15 | 235 | 6.1 | 366 | 9.3 | 6.0 | 15 |
| 150 | 381 | 120 | 305 | 90 | 229 | 214 | 5.4 | 274 | 6.9 | 9.0 | 23 | 234 | 6.0 | 365 | 9.3 | 9.0 | 23 | 356 | 9.2 | 551 | 14.0 | 9.0 | 23 |
| 200 | 508 | 160 | 406 | 120 | 305 | 285 | 7.3 | 366 | 9.3 | 12.0 | 31 | 313 | 8.1 | 487 | 12.4 | 12.0 | 31 | 476 | 12.3 | 737 | 18.7 | 12.0 | 31 |
| 250 | 635 | 200 | 508 | 150 | 381 | 357 | 9.1 | - | - | 15.0 | 38 | 392 | 10.1 | - | - | 15.0 | 38 | 596 | 15.4 | - | - | 15.0 | 38 |
| 300 | 762 | 240 | 610 | 180 | 457 | 429 | 10.9 | - | - | 18.0 | 46 | 471 | 12.1 | - | - | 18.0 | 46 | 717 | 18.5 | - | - | 18.0 | 46 |

The above numbers are approximate, and may be slightly different from the actual measurements.

**MITSUBISHI DIGITAL ELECTRONICS
AMERICA, INC.**

Presentation Products Division
Phone: 888.307.0349
Email: ppinfo@mdea.com
www.mitsubishi-presentations.com



**MITSUBISHI ELECTRIC SALES
CANADA, INC.**

Display & Imaging Solutions Division
Phone: 905.475.7728
www.mitsubishielectric.ca