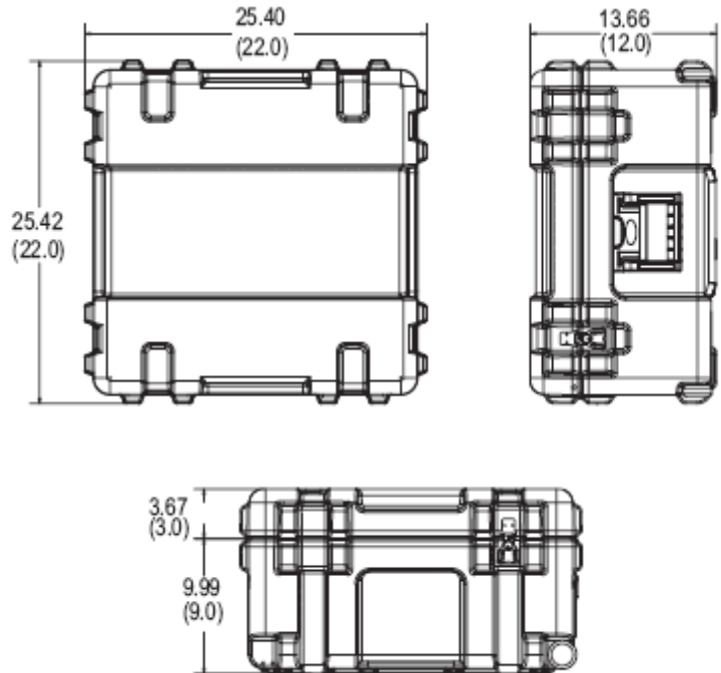


XD2000U-ATAC

Hard Shell Rolling Case



Part Number	XD2000-ATAC
Supported Projectors	XD1000U, XD2000U
Dimensions	25.4" x 25.42" x 13.66" (Exterior Dimensions LxWxH) 22" x 22" x 12" (Interior Dimensions LxWxH)
Base	9.99" (Exterior) 9.0" (Interior)
Lid	3.67" (Exterior) 3.0" (Interior)
Weight	27lbs
Key Features	<ul style="list-style-type: none"> • Superior rotationally molded strength and ergonomic design • Comfortable, spring-loaded, rubber over-molded handles • Easy-glide roller bladed wheels for easy roll on all surfaces • Includes padded dividers and cubed foam • Includes compartment for cable cover and slot for optional lens

Mitsubishi Digital Electronics America, Inc.
 Presentation Products Division
 9351 Jeronimo Road, Irvine CA 92618
 (888) 307-0349
 Email: ppdinfo@mdea.mea.com
www.mitsubishi-presentations.com

Technical Support
 (888) 307-0309
 Email: tsupport@mdea.mea.com

Canada
Mitsubishi Electric Sales Canada, Inc.
 Information Technology Group
 Markham, Ontario
 (905) 475-7728
www.mitsubishielectric.com