



MITSUBISHI ELECTRIC

MULTIMEDIA DATA/VIDEO PROJECTORS

Changes for the Better



For Classrooms



For Boardrooms

*Feature Packed,
Budget Friendly*



NEW Mobile XGA Projector

EX240U



XGA
1024x768

2500
LUMENS

2000:1
CONTRAST RATIO

4000hr
Estimated Lamp Life*

29dBA
Noise Level*
*low mode

5.3lbs
Ultra Portable

HDMI™
HIGH DEFINITION MULTIMEDIA INTERFACE

S.R.D. LAMP
TOP LOADING
USER REPLACEABLE

CLOSED
CAPTION
SUPPORT

A New Definition of Value

Maximize your budget with the new Mitsubishi EX240U—a low cost XGA projector that offers features you'd expect in higher priced models. High-end features on the EX240U include an HDMI connection as well as a 6-segment color wheel for a rich and vivid spectrum. With the EX240U, your technology won't be limited by your budget.

DLP Technology

DLP projectors have long been a classroom's best choice. With filter-free design comes reduced maintenance, saving both time and costs—lowering the overall lifetime operating cost of the unit while maintaining better longevity and durability.

Light & Bright

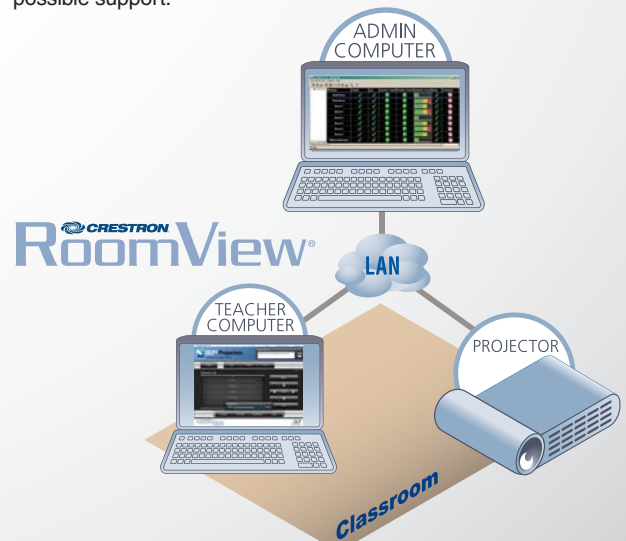
The EX240U weighs only 5.3lbs offering excellent portability or easy light-weight installations while showing an impressive brightness of 2500lm. From meeting rooms to classrooms, clear images are displayed even with ambient light. With an estimated lamp life of up to 4000 hours (in low mode), you'll be shining for quite a while.

3D-Ready—Enjoy the Future Today

Future-proof your installation with the 3D-Ready Mitsubishi EX240U! Immersive, interactive 3D presentations are the future of instructional education, and with the EX240U—you'll be ready. The 3D video content must be designed in field sequential format, played in a 3D capable computer and active shutter glasses are required.

Crestron RoomView™

The EX240U is equipped with a RJ-45 terminal for LAN connectivity and remote operation when connected to a network. Compatibility with Crestron® RoomView™ software enables integrated control of up to 250 projectors including power on/off control, message display on multiple projectors and confirmation of lamp service hours. RoomView automates and streamlines several management and technical support functions so you can work more efficiently and provide the best possible support.



BrilliantColor™ • Filter-Free • Wall Screen • Password Lock • Direct Power Off • Long-life Lamp • LAN (RJ-45)

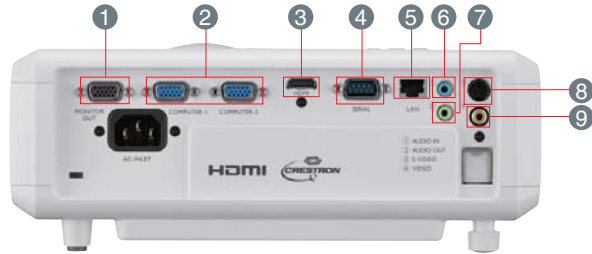
NEW



EX240U

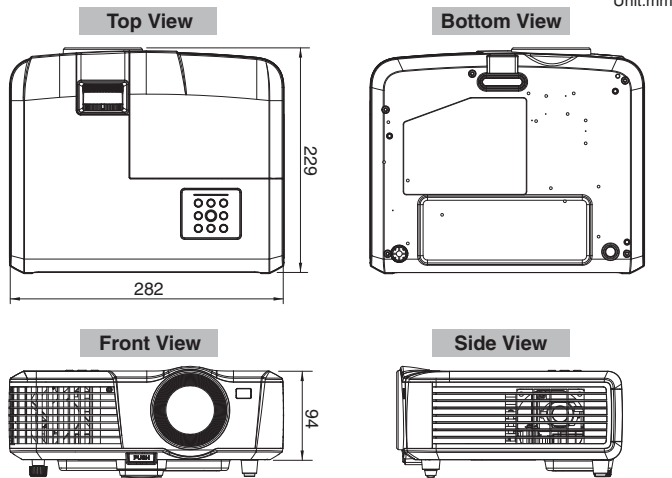
Mobile XGA Projector

Input and Output Terminals



- 1 Monitor output
- 2 PC/Component video input
- 3 HDMI
- 4 Serial RS-232C
- 5 LAN (RJ-45)
- 6 Audio input
- 7 Audio output
- 8 S-Video
- 9 Video

Dimensions

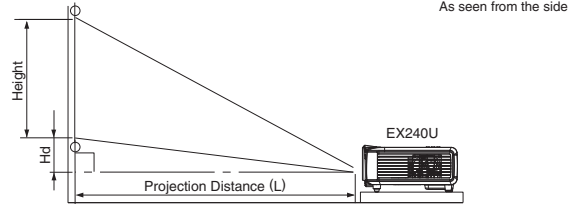


Specifications

Model	EX240U
Display Technology	0.55" 1-Chip DMD
Resolution	1024 x 768 (Total 786,432 pixels)
Brightness	2500lm
Contrast Ratio	2000 : 1
Picture Size*1	40" - 300"
Throw Ratio*1	1.9 - 2.1
Estimated Lamp Life	4000 hours*3 (Low Mode), 3000 hours*3 (Standard Mode)
PC Compatibility	640 x 480 - 1600 x 1200, True: 1024 x 768, Sync on Green available
Video Compatibility	NTSC / NTSC 4.43 / PAL (including PAL-M, N) / SECAM / PAL-60 Component Video: 480i/p (525i/p), 576i/p (625i/p), 720p (750p), 1080i/p (1125i/p 60Hz), 1080i/p (1125i/p 50Hz)
Input Terminals	RGB: mini D-sub 15pin x 2 Video: RCA x 1 + S-VIDEO x 1 Digital: HDMI (Ver1.2) x 1 Audio: Stereo mini jack (ø3.5mm) x 1
Output Terminals	RGB: mini D-sub 15pin x 1 Audio: Stereo mini jack (ø3.5mm) x 1
Communication Terminal	RS-232C: D-Sub 9pin x 1 LAN: RJ-45 x 1
Speaker Output	2W Mono
Dimensions (W x H x D)	11.1" x 3.7" x 9.0" (Not including protrusion)
Weight	2.4kg / 5.3lbs
Power Requirements	AC 100-240V, 50/60Hz
Optional Accessories	Replacement Lamp (VLT-EX240LP), Ceiling mount (PROJ-UCM-PRO2), Hard shell case (DKT1-ATAC)
Included Accessories	Soft carrying bag, Remote control (With 2 batteries), Power cable, VGA(D-sub) cable, User-Manual (CD-ROM), Safety manual, Lens Cap
Warranty	3-Years of Parts/Labor, 3-Years of Express Replacement Assistance (ERA), 1-year or 500 hours lamp warranty (whichever comes first)

• Compliance with ISO21118-2005
 • All brand names and product names are trademarks, registered trademarks or trade names of their respective holders.
 *1: Value may vary a few percent from that listed in the chart.
 *2: The above numbers are approximate, and may be slightly different from the actual measurements.
 *3: Lamp life specification is an estimate based on information provided by the lamp manufacturer and is not the duration of the warranty. Lamp will shut-off automatically when usage reaches the specified estimated maximum lamp hours.

Screen size and Projection distance



Screen size chart (4:3 aspect ratio)

Diagonal Size	Screen				Distance from screen (L)				Height projected image (Hd)		
	Width (W)		Height (H)		Shortest (Wide)		Longest (Tele)		inch	cm	
inch	cm	inch	cm	inch	cm	inch	m	inch	m	inch	cm
40	102	32	81	24	61	60	1.5	66	1.7	2	6
60	152	48	122	36	91	90	2.3	99	2.5	4	9
80	203	64	163	48	122	120	3.0	132	3.4	5	12
100	254	80	203	60	152	150	3.8	165	4.2	6	15
150	381	120	305	90	229	225	5.7	247	6.3	9	23
200	508	160	406	120	305	300	7.6	330	8.4	12	30
250	635	200	508	150	381	375	9.5	412	10.5	15	38
300	762	240	610	180	457	450	11.4	-	-	18	46

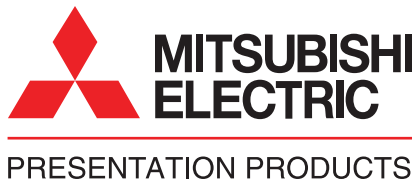
The above numbers are approximate, and may be slightly different from the actual measurements.

Screen size chart (16:9 aspect ratio)

Diagonal Size	Screen				Distance from screen (L)				Height projected image (Hd)		
	Width (W)		Height (H)		Shortest (Wide)		Longest (Tele)		inch	cm	
inch	cm	inch	cm	inch	cm	inch	m	inch	m	inch	cm
40	102	35	89	20	50	66	1.7	73	1.9	6	15
60	152	52	133	29	75	99	2.5	109	2.8	9	22
80	203	70	177	39	100	132	3.4	146	3.7	12	30
100	254	87	221	49	125	166	4.2	182	4.6	15	37
150	381	131	332	74	187	248	6.3	273	6.9	22	56
200	508	174	443	98	249	331	8.4	364	9.3	29	75
250	635	218	553	123	311	414	10.5	455	11.6	37	93
275	699	240	609	135	342	455	11.6	-	-	40	103

The above numbers are approximate, and may be slightly different from the actual measurements.

**MITSUBISHI DIGITAL ELECTRONICS
 AMERICA, INC.**
 Presentation Products Division
 Phone: 888.307.0349
 www.mitsubishi-presentations.com



**MITSUBISHI ELECTRIC SALES
 CANADA, INC.**
 Display & Imaging Solutions Division
 Phone: 905.475.7728
 www.mitsubishielectric.ca