



# MITSUBISHI ELECTRIC

## MULTIMEDIA DATA/VIDEO PROJECTORS

### Specifications

Model		HC6800	
Projection system		Transmissive liquid crystal system	
Panel specs	Panel size	0.74type x3, Aspect ratio 16:9, D7 (with Micro Lens)	
	Number of pixels	1920x1080 (2,073,600 pixels)	
	Drive system	3 primary color liquid crystal shutter system	
Optical specs	Array	Stripe pattern	
	Zoom / focus operation	Zoom ratio 1.6:1 (powered)	
	Throw ratio	1.42 - 2.26	
	Projection lens	f=23.5mm - 37.6mm	
	Off axis	(V) 5: -1 - 5: 1 (+/-75%), (H) Screen Width +/-5% (with Variable H+V Powered Lens Shift)	
	Light source lamp	170W - Standard Mode (2000hrs estimated lamp life) 136W - Low Mode (4000hrs estimated lamp life)	
Optical system		Mirror color separation / prism synthesis system	
Iris		Auto-iris	
Projection screen size		50"-300"	
Images	Brightness	1500lm (Max), 1300lm (typical)	
	Contrast ratio	30,000:1 (w/ auto-iris operation) typ.	
	Resolution	PC input VGA 640x480 — SXGA 1280x1024, UXGA 1600x1200 Compressed	
	Scan frequency	Horizontal (kHz)	15-100kHz
		Vertical (Hz)	50-120Hz
Input signal system		Video NTSC, NTSC4.43, PAL (including PAL-M and N), SECAM, PAL-60 Video input: 480i/p, 576i/p, 1080i 60/50, 1080p 60/50/24, 720p 60/50	
Input	PC		PC/AT compatibles, Mac
	PC input	Mini D-Sub 15 pin	1 terminal
	HDMI input	HDMI terminal	2 terminals (v1.3 with Deep Color)
	Video Composites	RCA terminal	1 terminal
	S	S-Video terminal	1 terminal
	Components	RCA terminal	1 terminal (component can be also input to Mini D-Sub 15 pin)
Serial / RS-232C standard		1 terminal (D-Sub 9 pin)	
Output		Trigger terminal 1 terminal (Stereo mini jack (ø3.5mm))	
Functions	Digital keystone	Vertical ±15steps	
	Fan noise	20dBA (at low mode)	
	Power source voltage	AC100V 50/60Hz	
	Power consumption	250W (at standby 7W)	
	Weight	16.5lbs	
Main unit dimensions		WxDxH 427x440x159mm / 16.8"x17.3"x6.3" (excluding height adjustment)	
Other	Supplied accessories		Power source cord (2.9m), Remote control, AA batteries (x2), RGB signal cable, RS-232C cable, Lens cap, Lamp replacement tray
	Optional accessories		Ceiling Mount (XL7000CM), Ceiling Mount Accessory (PROJ-FCA), Replacement Lamp (VLT-HC6800LP)
	Warranty		2-years parts and labor, 1-year or 500 hours on lamp (whichever comes first)

\* All brand and product names are trademarks or registered trademarks of their respective companies.  
\* Lamp life specification is an estimate based on information provided by the lamp manufacturer and is not the duration of the warranty.  
\* Lamp will shut-off automatically when usage reaches the specified estimated maximum lamp hours.

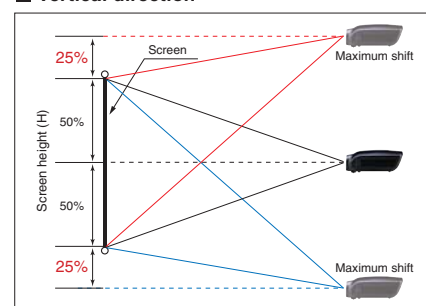
### Projection distance

Screen size (16:9)			Projection distance		Up-down lens shift		Right-Left lens shift				
Diagonal	W (width)	H (height)	Max Zoom	Min Zoom	Down	Up	Left	Right			
50	127	43.7	24.4	59	98	19	0	→ 19	2.4	← 0	→ 2.4
60	152	52.4	29.5	71	118	22	0	→ 22	2.8	← 0	→ 2.8
70	178	61.0	34.3	87	138	26	0	→ 26	3.1	← 0	→ 3.1
80	203	69.7	39.4	98	158	30	0	→ 30	3.5	← 0	→ 3.5
90	229	78.3	44.1	110	177	33	0	→ 33	3.9	← 0	→ 3.9
100	254	87.0	49.2	122	197	37	0	→ 37	4.3	← 0	→ 4.3
110	279	96.1	53.9	134	217	41	0	→ 41	4.7	← 0	→ 4.7
120	305	104.7	58.7	150	236	44	0	→ 44	5.1	← 0	→ 5.1
130	330	113.4	63.8	161	256	48	0	→ 48	5.5	← 0	→ 5.5
140	356	122.0	68.5	173	276	52	0	→ 52	5.9	← 0	→ 5.9
150	381	130.7	73.6	185	299	55	0	→ 55	6.7	← 0	→ 6.7
200	508	174.4	98.0	248	398	74	0	→ 74	8.7	← 0	→ 8.7
250	635	217.7	122.4	311	496	92	0	→ 92	11	← 0	→ 11
300	762	261.4	147.2	374	598	110	0	→ 110	13	← 0	→ 13

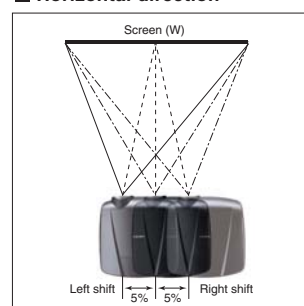
Screen size (4:3)			Projection image size (16:9)		Projection distance		Up-down lens shift		Right-Left lens shift						
Diagonal	W (width)	H (height)	Diagonal	W (width)	H (height)	Black zone	Max Zoom	Min Zoom	Down	Up	Left	Right			
50	127	40.2	29.9	46.1	40.2	22.4	3.9	55	91	16.9	← 0	→ 16.9	1.9	← 0	→ 1.9
60	152	48.0	35.8	55.1	48.0	27.2	4.3	67	106	20.0	← 0	→ 20.0	2.4	← 0	→ 2.4
70	178	55.9	42.1	64.2	55.9	31.5	5.1	79	126	23.6	← 0	→ 23.6	2.8	← 0	→ 2.8
80	203	64.2	48.0	73.6	64.2	35.8	5.9	91	148	27.2	← 0	→ 27.2	3.1	← 0	→ 3.1
90	229	72.0	53.9	82.7	72.0	40.6	6.7	102	161	30.3	← 0	→ 30.3	3.5	← 0	→ 3.5
100	254	79.9	59.8	91.7	79.9	44.9	7.5	114	181	33.9	← 0	→ 33.9	3.9	← 0	→ 3.9
110	279	88.2	66.1	101	88.2	49.6	8.3	122	201	37.0	← 0	→ 37.0	4.3	← 0	→ 4.3
120	305	96.1	72.0	110	96.1	53.9	9.1	134	217	40.6	← 0	→ 40.6	4.7	← 0	→ 4.7
130	330	104	77.9	119	104	58.7	9.8	146	236	43.7	← 0	→ 43.7	5.1	← 0	→ 5.1
140	356	112	83.9	128	112	62.9	10.6	158	256	47.2	← 0	→ 47.2	5.5	← 0	→ 5.5
150	381	120	90.2	138	120	67.3	11.4	169	272	50.8	← 0	→ 50.8	5.9	← 0	→ 5.9
200	508	160	120	183	160	90.2	14.9	228	366	67.3	← 0	→ 67.3	7.9	← 0	→ 7.9
250	635	200	150	230	200	113	18.9	284	457	84.3	← 0	→ 84.3	9.8	← 0	→ 9.8
300	762	240	180	275	240	135	22.4	343	547	101	← 0	→ 101	12	← 0	→ 12

\* The above figures are approximate and may be slightly different from the actual measurements.

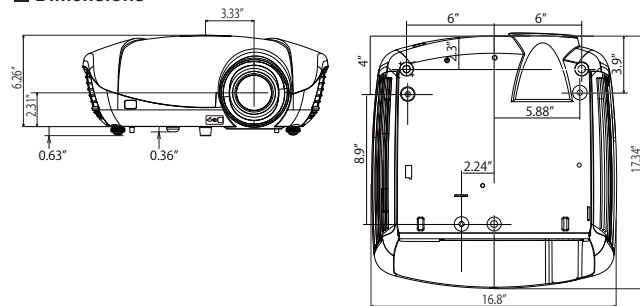
### Vertical direction



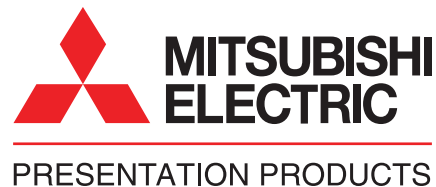
### Horizontal direction



### Dimensions



MITSUBISHI DIGITAL ELECTRONICS  
AMERICA, INC.  
Presentation Products Division  
Phone: 888.307.0349  
www.mitsubishi-presentations.com



MITSUBISHI ELECTRIC SALES  
CANADA, INC.  
Display & Imaging Solutions Division  
Phone: 905.475.7728  
www.mitsubishielectric.ca

Deep blacks... Brilliant whites...  
Both at levels never believed possible



**NEW HC6800**

